



Meters
Valves
Instruments
Systems

Model 1800 PFM Series Regulator



BUY NOW

Devtech Sales, Inc. is a Florida-based manufacturer's representative focused on supplying engineered equipment to natural gas, power and industrial customers. Devtech is Florida's leading provider of measurement and control products and systems such as gas meters, valves, odorizers, filters, instruments, flow correctors, flow computers, gauges, gate stations, meter/regulator skids and automatic meter reading systems.

Devtech Sales, Inc. • 118 S. Lake Ave. • Avon Park, FL • 863-453-5959

[HTTPS://WWW.DEVTECHSALES.COM](https://www.devtechsales.com)



elster
American Meter

Model 1800 PFM Series Regulator

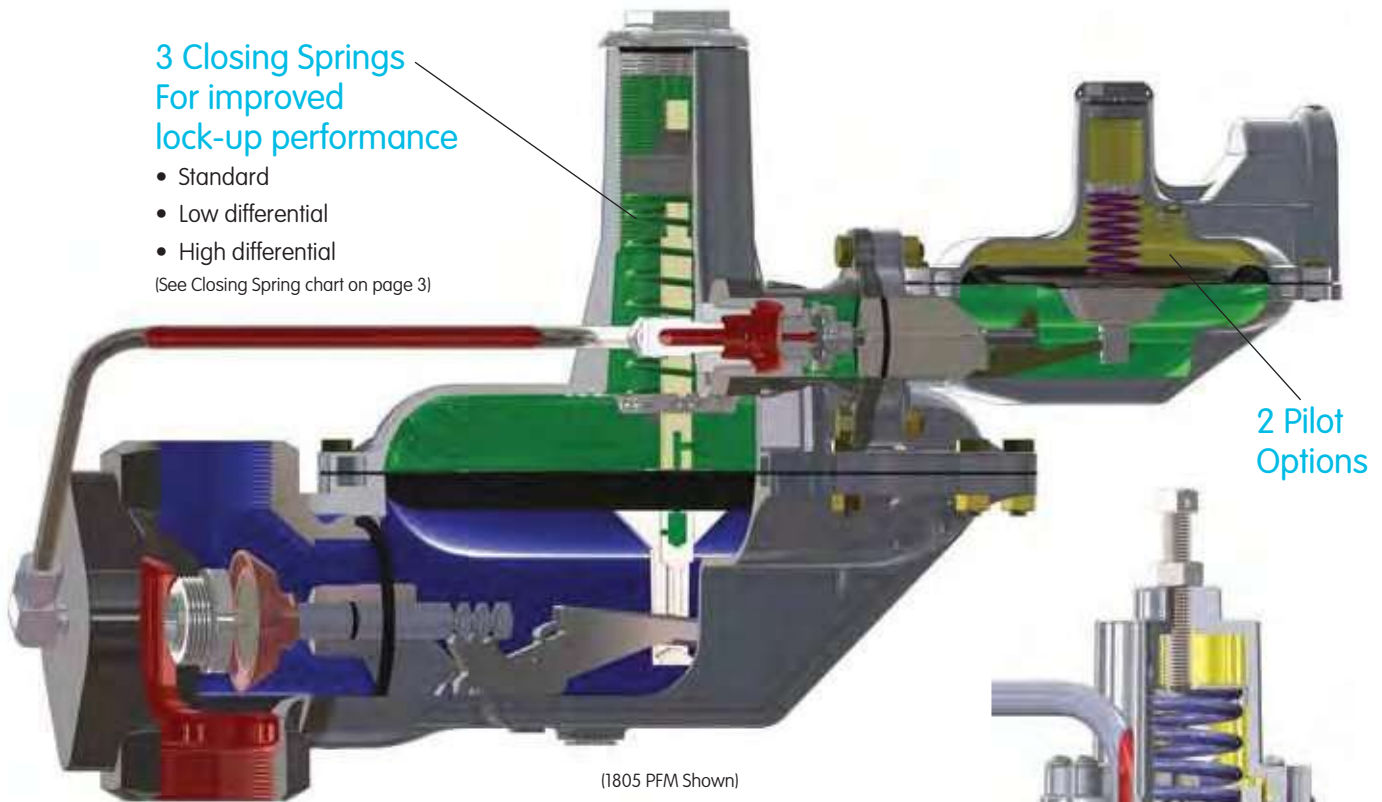


1800 PFM Series Regulator

3 Closing Springs For improved lock-up performance

- Standard
- Low differential
- High differential

(See Closing Spring chart on page 3)



2 Pilot Options

- Inlet pressure
- Loading pressure
- Outlet pressure

(Pilot for 1804 PFM)

General Information

- Maximum 125 PSIG inlet pressure
- Operating temperature range of -20°F to 150°F (-30°C to 65°C)
- Maximum flow rates of up to 80,000 SCFH
- 1-1/2" or 2" NPT connection or 2" ANSI Class 125 lb. Flat Faced flanged connection

Enhancements

- Extended outlet pressure range to cover 7" WC to 30 PSIG
- Improved ease of pilot maintenance
- 1804 pilot covers wide range of 2-30 PSIG outlet
- 1805 pilot optimizes performance between 7" WC and 2 PSIG outlet range
- 3 closing spring options provide for improved lock-up performance

Features

- Same great PFM rugged design and proven reliability
- Expanded orifice offerings with the addition of 1/2" and 3/4" sizes
- Maintains constant outlet pressure within $\pm 1\%$ absolute set pressure over a wide range of flow rates
- Ideal for fixed factor measurement
- Available with optional OPSO (over pressure shut off), USSA (universal safety shut off assembly), and ISO™ (internal safety orifice)

Pilot Options

1804 PFM Series (2-30 PSIG Outlet Range)

- 2 pilot spring range options
 - 2-30 PSIG
 - 2-10 PSIG

1805 PFM Series (7" WC to 2 PSIG Outlet Range)

- 2 pilot spring range options
 - 7"-30" WC
 - 1.0-2.4 PSIG

Applications

1804 PFM Series (2-30 PSIG Outlet Pressure)

Model Number	Description
1804 PFM	Standard regulator
1804M PFM	Standard regulator with external sense
1884 PFM	Standard regulator with overpressure shut-off
1884M PFM	Standard regulator with external sense and overpressure shut-off
1884 PFM w/USSA	Standard regulator with overpressure and under pressure shut-off
1884M PFM w/USSA	Standard regulator with external sense, overpressure and under pressure shut-off

1805 PFM Series (7" WC-2 PSIG Outlet Pressure)

Model Number	Description
1805 PFM	Standard regulator
1805M PFM	Standard regulator with external sense
1885 PFM	Standard regulator with overpressure shut-off
1885M PFM	Standard regulator with external sense and overpressure shut-off
1885 PFM w/USSA	Standard regulator with overpressure and under pressure shut-off
1885M PFM w/USSA	Standard regulator with external sense, overpressure and under pressure shut-off

Ordering Information

1. Model Number
2. Connection Size: 1-1/2" Threaded, 2" Threaded, 2" Flanged
3. Inlet Pressure Range: up to 125 PSIG
4. Outlet Set Pressure: 7" WC to 30 PSIG
5. Main Orifice Diameter: 1/4", 3/8", 1/2", 5/8", 3/4", 7/8", 1", 1-1/4"
6. Gas Specific Gravity
7. Regulator Assembly Position: See below
8. Pilot Filter Option: Yes/No
9. OPSO Spring Range
10. Under pressure spring range (USSA only)

Maximum Differential Pressure Across Orifice (PSID) 1804 & 1805 PFM Series

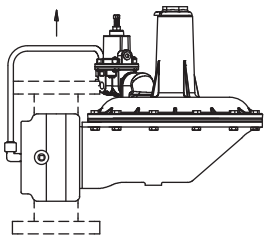
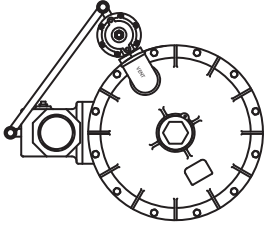
Closing Spring Part Number	Spring color	Description	1/4"	3/8"	1/2"	5/8"	3/4"	7/8"	1"	1-1/4"
71424P028	Black/Red	Low Differential	25	15	5	5	3	NR	NR	NR
71424P025	Black	Standard	125	125	125	125	80	55	40	35
71424P036	Solid Silver	High Differential	NR	NR	NR	NR	125	125	100	80

NR = Not recommended for optimum lock-up performance

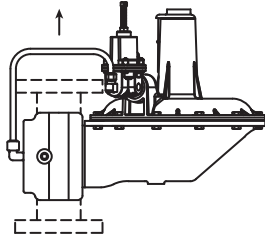
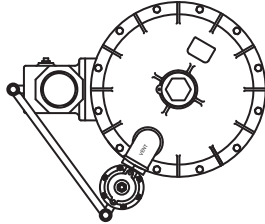
1804/1884 PFM Series Assembly Positions

1804 PFM Series

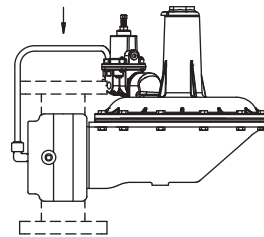
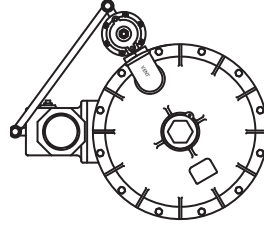
Assembly Position "A1.5"



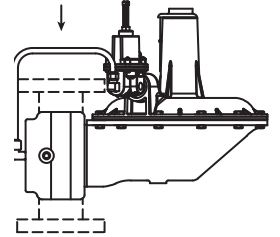
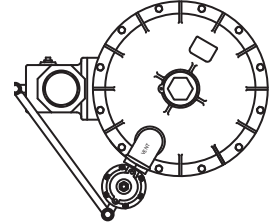
Assembly Position "A4.5"



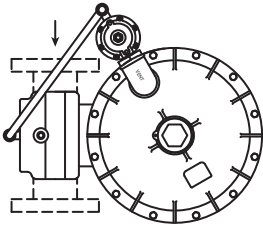
Assembly Position "B1.5"



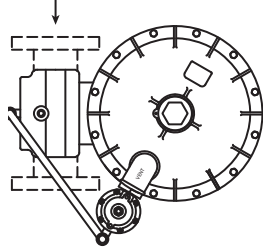
Assembly Position "B4.5"



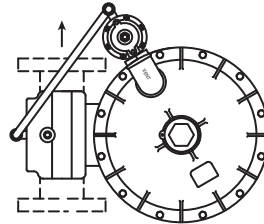
Assembly Position "C1.5"



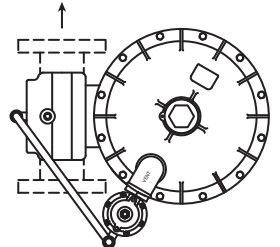
Assembly Position "C4.5"



Assembly Position "D1.5"

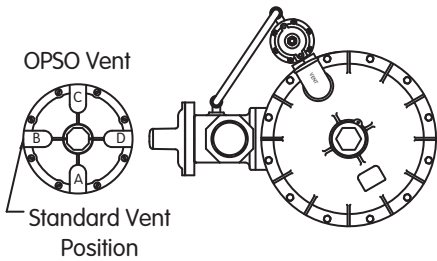


Assembly Position "D4.5"

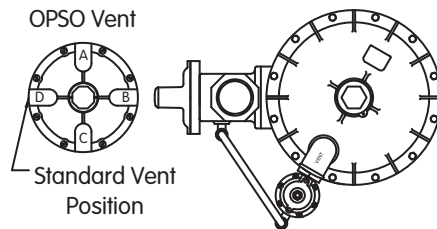


1884 PFM Series

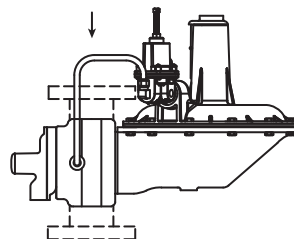
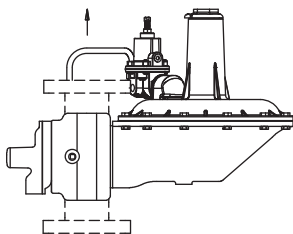
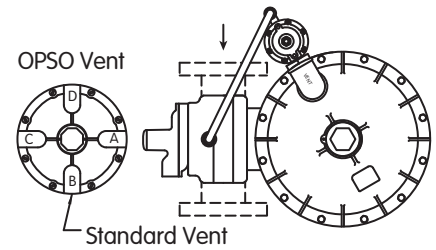
Assembly Position "A1.5"



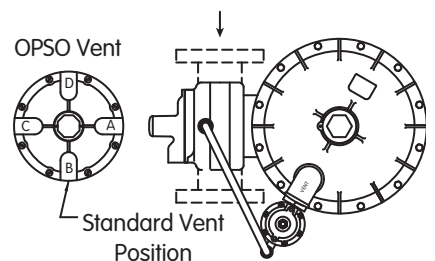
Assembly Position "B4.5"



Assembly Position "C1.5"



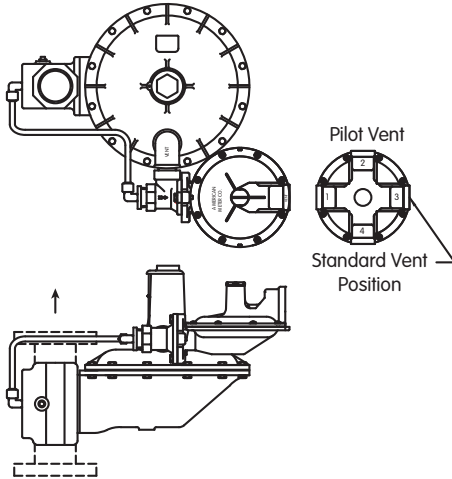
Assembly Position "C4.5"



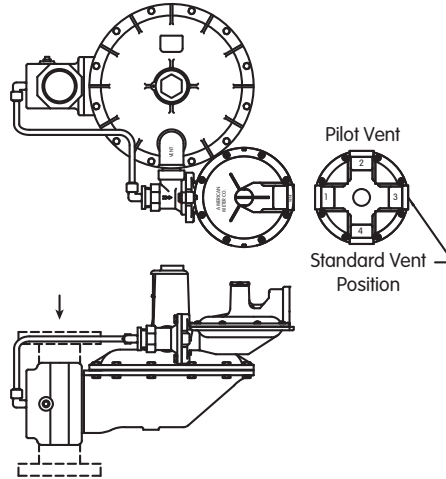
1805/1885 PFM Series Assembly Positions

1805 PFM Series

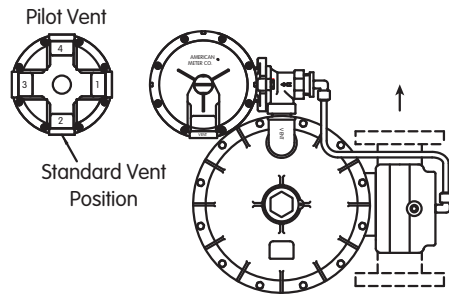
Valve Head Position "A"



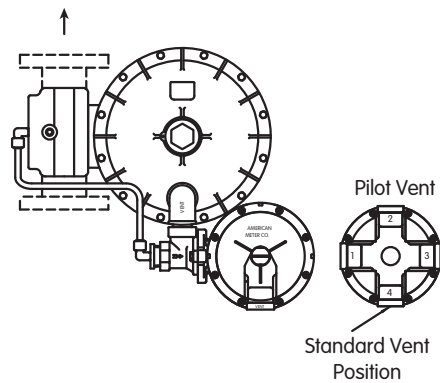
Valve Head Position "B"



Valve Head Position "C"

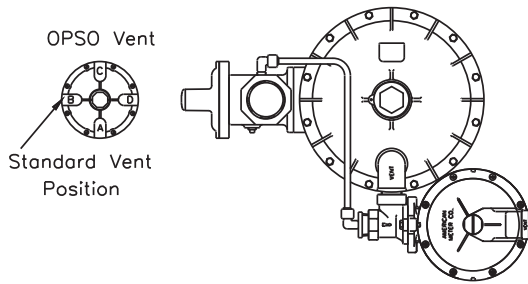


Valve Head Position "D"

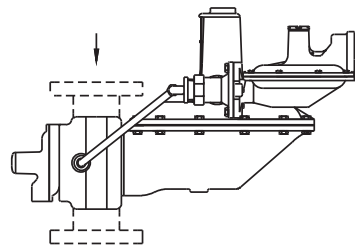
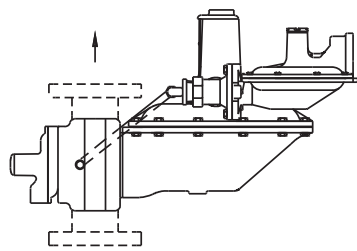
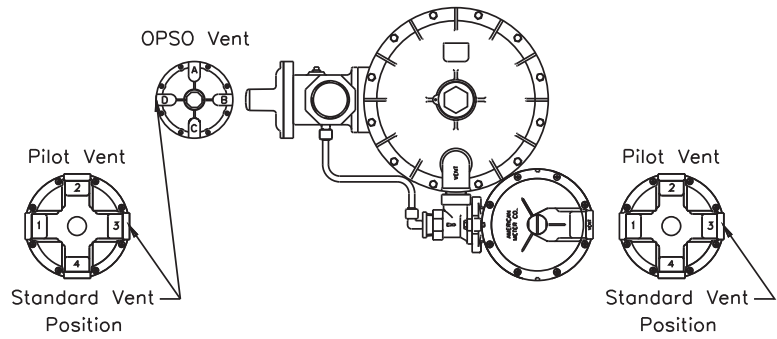


1885 PFM Series

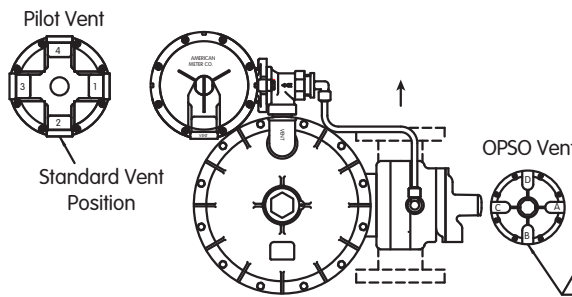
Valve Head Position "A"



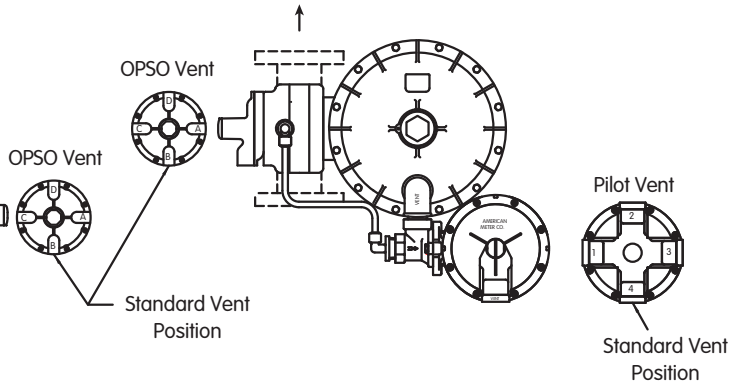
Valve Head Position "B"



Valve Head Position "C"



Valve Head Position "D"



Elster American Meter
2221 Industrial Road
Nebraska City, NE 68410
USA

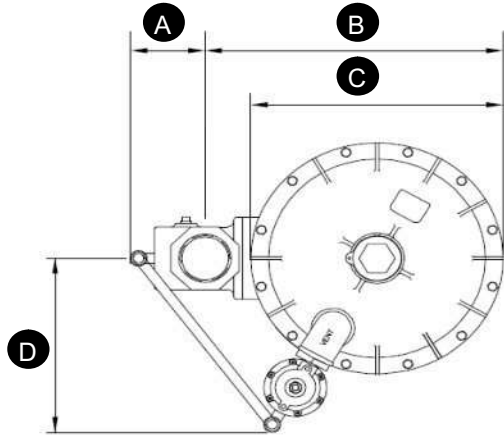
T +1 402 873 8200 (US)
F +1 402 873 7616 (US)

T +1 905 634 4895 (Canada)
F +1 905 634 6705 (Canada)

www.elster.com/gas

© 2012 by Elster. All rights reserved.
Information contained herein is subject to
change without notice. Product specifications
may change. Contact your Elster representative
for the most current product information.
Printed in the United States.

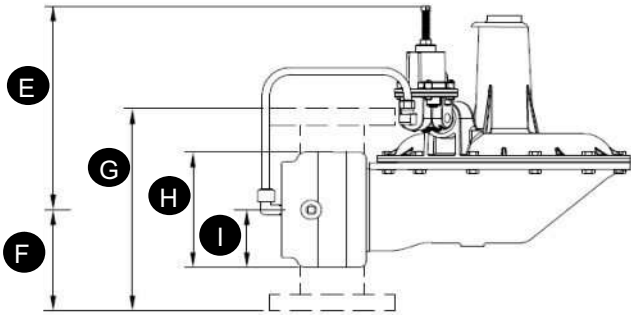
EAM-BR8552 - 9/2012



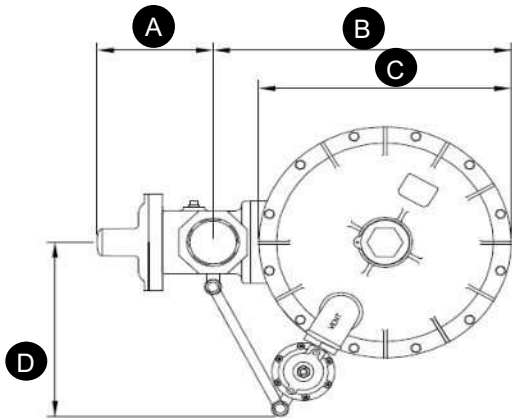
Model 1804 PFM

1-1/2" and 2" Pilot Loaded Regulator

A	3-1/2"	(90 mm)
B	14-1/4"	(360 mm)
C	12"	(305 mm)
D	11-3/4"	(299 mm)
E	10-5/8"	(269 mm)
F	5-1/4"	(133 mm)
G	10-1/2" *	(267 mm)
H	6"	(152 mm)
I	3"	(76 mm)



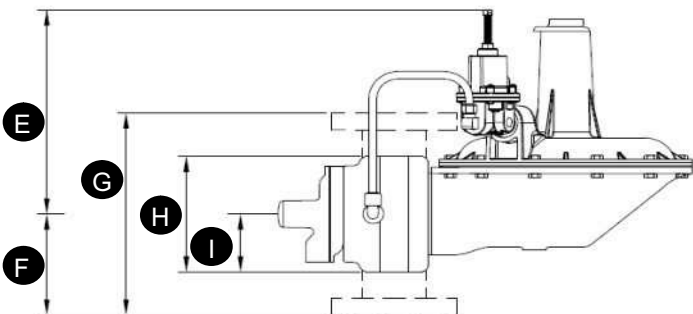
* 10.00" (254mm) long valve head also available



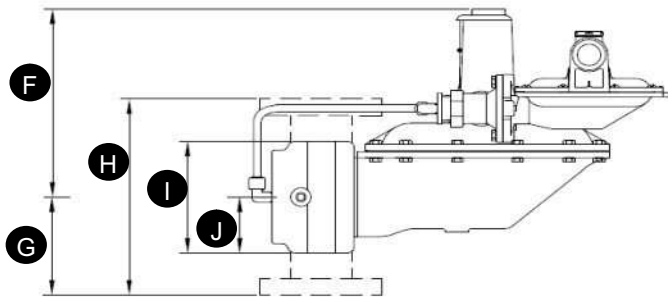
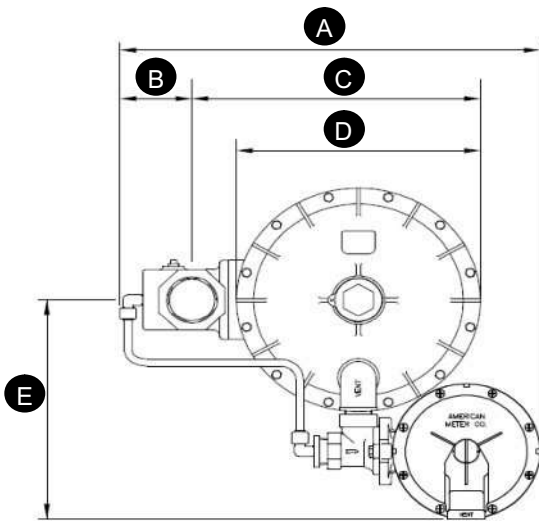
Model 1884 PFM

1-1/2" and 2" Pilot Loaded Regulator

A	5-1/2"	(140 mm)
B	17-1/8"	(434 mm)
C	12"	(305 mm)
D	11-3/4"	(299 mm)
E	10-5/8"	(269 mm)
F	5-1/4"	(133 mm)
G	10-1/2" *	(267 mm)
H	6"	(152 mm)
I	3"	(76 mm)



* 10.00" (254mm) long valve head also available

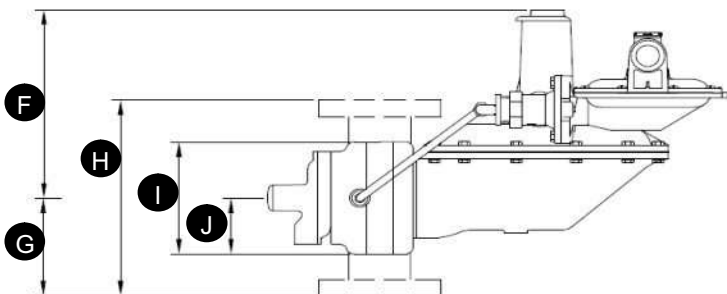
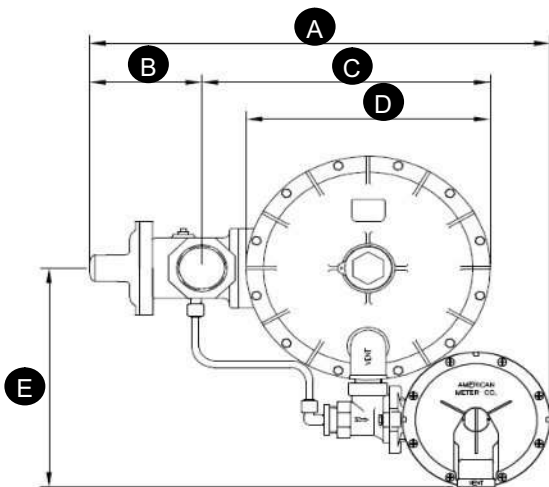


Model 1805 PFM

1-1/2" and 2" Pilot Loaded Regulator

A	20-5/8"	(524 mm)
B	3-1/2"	(90 mm)
C	14-1/4"	(360 mm)
D	12"	(305 mm)
E	11-3/4"	(299 mm)
F	10"	(256 mm)
G	5-1/4"	(133 mm)
H	10-1/2" *	(267 mm)
I	6"	(152 mm)
J	3"	(76 mm)

* 10.00" (254mm) long valve head also available



Model 1885 PFM

1-1/2" and 2" Pilot Loaded Regulator

A	22-5/8"	(574 mm)
B	5-1/2"	(140 mm)
C	17-1/8"	(434 mm)
D	12"	(305 mm)
E	11-3/4"	(299 mm)
F	10"	(256 mm)
G	5-1/4"	(133 mm)
H	10-1/2" *	(267 mm)
I	6"	(152 mm)
J	3"	(76 mm)

* 10.00" (254mm) long valve head also available

Elster American Meter
1805PFM Capacity
2" x 2" Valve Head



CAPACITY (SCFH) 2" VALVE BODY								
7"wc set, 1" droop, 2" boost								
INLET (psig)	ORIFICE							
	1/4"	3/8"	1/2"	5/8"	3/4"	7/8"	1"	1-1/4"
0.5	400	600	1,200	1,200	1,100	2,000	1,700	2,400
1	600	800	1,300	1,200	1,100	2,000	1,700	2,400
2	800	1,300	2,400	2,700	4,000	3,800	4,400	5,800
3	800	1,500	2,500	3,400	4,600	4,400	5,100	6,600
5	1,000	2,000	3,200	4,300	6,000	6,000	7,000	9,200
10	1,700	3,100	4,900	6,300	9,000	9,000	10,000	13,200
15	2,000	4,000	6,400	8,000	11,000	11,000	12,000	15,000
20	2,200	4,700	7,900	10,000	14,000	14,000	15,000	19,000
30	3,400	7,300	12,800	17,100	24,000	24,000	26,000	34,000
40	4,100	8,700	14,000	18,600	26,000	26,000	28,000	36,000
60	6,100	12,600	20,000	26,000	36,000	36,000	39,000	51,000
80	7,700	15,400	24,000	31,000	43,000	43,000	46,000	60,000
100	9,300	18,600	28,000	36,000	51,000	51,000	54,000	70,000
125	11,000	22,000	33,000	43,000	60,000	60,000	64,000	84,000

CAPACITY (SCFH) 2" VALVE BODY								
14"wc set, ±2"								
INLET (psig)	ORIFICE							
	1/4"	3/8"	1/2"	5/8"	3/4"	7/8"	1"	1-1/4"
1	500	1,000	1,500	1,800	2,200	2,700	3,200	4,200
2	700	1,400	2,100	2,500	3,000	3,600	4,200	5,400
3	900	1,800	2,700	3,200	3,900	4,600	5,400	6,900
5	1,200	2,500	4,000	4,800	5,800	6,900	8,000	10,200
10	1,800	3,900	6,000	7,200	8,700	10,200	11,800	15,000
15	2,400	5,100	8,100	9,600	11,600	13,600	15,600	19,800
20	2,800	5,700	9,200	10,800	13,000	15,200	17,400	22,200
30	3,600	7,400	12,000	14,400	17,400	20,400	23,400	29,800
40	4,400	8,800	14,000	16,800	20,400	24,000	27,600	35,400
60	6,100	12,600	20,000	24,000	29,000	34,000	39,000	50,000
80	7,700	15,400	24,000	28,800	35,000	41,000	47,000	60,000
100	9,300	18,600	28,000	33,600	41,000	48,000	55,000	70,000
125	11,000	22,000	33,000	40,000	49,000	57,000	66,000	84,000

CAPACITY (SCFH) 2" VALVE BODY								
1 psi set, ±1% abs.								
INLET (psig)	ORIFICE							
	1/4"	3/8"	1/2"	5/8"	3/4"	7/8"	1"	1-1/4"
2	700	1,100	2,000	3,000	3,600	3,900	4,700	7,000
3	900	1,400	2,800	4,100	4,900	5,000	6,200	9,100
5	1,200	2,000	4,000	5,900	7,000	7,200	8,800	13,000
10	1,800	3,100	6,100	9,000	10,500	10,800	13,200	19,000
15	2,400	4,100	8,100	12,000	14,000	14,400	17,400	25,000
20	2,900	4,900	9,800	14,400	16,800	17,400	21,000	30,000
30	3,600	6,100	12,200	18,000	21,000	21,600	26,400	38,000
40	4,400	7,400	14,800	21,600	25,200	25,800	31,600	45,000
60	6,100	10,200	20,400	30,000	35,000	35,400	43,200	62,000
80	7,700	12,600	25,200	36,000	42,000	42,600	51,600	74,000
100	9,300	15,400	30,800	43,200	51,000	51,600	62,400	88,000
125	11,000	18,600	37,200	51,600	60,000	60,600	73,200	106,000

CAPACITY (SCFH) 2" VALVE BODY								
2 psi set, ±1% abs.								
INLET (psig)	ORIFICE							
	1/4"	3/8"	1/2"	5/8"	3/4"	7/8"	1"	1-1/4"
5	1,100	1,700	3,400	5,100	6,100	6,400	7,800	11,400
10	1,700	2,500	5,000	7,500	8,800	9,200	11,200	16,400
15	2,400	3,600	7,200	10,800	12,600	13,200	16,000	23,000
20	2,900	4,300	8,600	12,900	15,200	15,800	19,200	27,400
30	3,600	5,400	10,800	16,200	19,000	19,800	24,000	34,200
40	4,400	6,600	13,200	19,800	23,400	24,200	29,600	42,600
60	6,100	9,100	18,200	27,300	32,400	33,200	40,800	59,000
80	7,700	11,500	23,000	34,500	41,000	41,800	51,000	72,600
100	9,300	13,900	27,800	41,700	49,800	50,600	61,600	88,000
125	11,000	16,500	33,000	49,500	59,400	60,200	73,200	106,000

1805PFM capacity ratings are intended to supplement Technical Bulletin EAM-TB8552.0. Data published in Technical Bulletins supersede supplemental publications. Supplemental ratings are the Intellectual Property of Elster American Meter, for use by the intended recipient only. Do not copy or otherwise distribute.

Elster American Meter
1804PFM Capacity
2" x 2" Valve Head



CAPACITY (SCFH) 2" VALVE BODY								
1 psi set, ±1% abs.								
INLET (psig)	ORIFICE							
	1/4"	3/8"	1/2"	5/8"	3/4"	7/8"	1"	1-1/4"
10	1,500	1,700	1,800	3,200	3,500	3,100	5,800	12,800
15	2,200	2,100	3,000	4,000	4,400	6,500	9,000	12,000
20	2,200	3,400	3,600	6,600	5,200	6,100	5,000	7,500
30	3,400	5,500	5,500	10,400	6,700	7,700	7,700	8,800
40	4,300	6,000	9,000	9,000	12,000	9,000	4,400	3,300
60	5,600	10,900	18,300	18,300	27,800	27,800	4,200	2,200
80	6,500	15,000	27,100	18,100	4,700	1,400	3,000	1,100
100	7,200	18,200	4,700	5,600	2,100	4,000	2,300	
125	8,700	4,300	5,700	9,000	2,600	4,800		

CAPACITY (SCFH) 2" VALVE BODY								
2 psi set, ±1% abs.								
INLET (psig)	ORIFICE							
	1/4"	3/8"	1/2"	5/8"	3/4"	7/8"	1"	1-1/4"
10	900	1,900	2,400	2,500	2,600	3,000	5,600	7,500
15	1,100	2,700	3,000	5,200	6,600	4,400	2,000	12,700
20	1,700	2,800	3,500	6,600	9,000	6,000	1,900	1,800
30	2,500	4,100	7,300	9,700	10,000	7,000	1,800	2,400
40	3,600	6,700	9,000	14,700	2,400	5,000	6,000	3,300
60	5,400	8,200	15,300	2,400	27,800	9,400	3,200	2,100
80	7,100	12,700	23,200	2,700	6,400	0,700	9,200	5,400
100	8,600	7,000	8,100	8,800	1,300	2,100	2,300	
125	10,500	8,500	7,100	9,000	2,600	3,000		

CAPACITY (SCFH) 2" VALVE BODY								
5 psi set, ±1% abs.								
INLET (psig)	ORIFICE							
	1/4"	3/8"	1/2"	5/8"	3/4"	7/8"	1"	1-1/4"
10	1,300	2,400	3,900	4,200	4,400	4,400	6,000	12,300
15	1,800	3,400	5,100	5,500	1,000	8,000	16,500	2,600
20	2,100	4,000	6,300	9,800	1,400	1,000	2,600	2,600
30	2,800	6,500	2,000	1,100	1,300	2,500	3,000	4,200
40	3,400	6,700	3,400	2,400	2,400	6,300	9,800	5,600
60	5,100	11,400	17,600	2,600	4,800	2,700	4,400	4,100
80	5,900	15,600	23,200	6,100	7,000	3,300	6,000	4,700
100	7,200	18,900	28,100	2,800	5,600	8,100	4,600	
125	10,500	18,700	28,600	29,700	31,200	9,200		

CAPACITY (SCFH) 2" VALVE BODY								
10 psi set, ±1% abs.								
INLET (psig)	ORIFICE							
	1/4"	3/8"	1/2"	5/8"	3/4"	7/8"	1"	1-1/4"
15	1,400	2,700	4,100	6,100	8,300	5,300	1,800	7,900
20	2,200	3,800	6,400	8,600	12,900	1,000	15,300	4,400
30	2,800	5,400	1,100	1,400	1,200	2,400	2,800	3,400
40	3,400	6,700	2,300	7,900	2,400	2,800	3,800	4,700
60	4,700	10,000	16,800	2,600	4,800	9,000	5,400	5,800
80	5,900	12,700	21,300	1,300	9,300	5,900	9,800	6,600
100	7,200	15,400	25,800	4,200	4,100	0,200	3,900	
125	8,700	18,700	34,300	8,900	4,600	1,100		

CAPACITY (SCFH) 2" VALVE BODY								
15 psi set, ±1% abs.								
INLET (psig)	ORIFICE							
	1/4"	3/8"	1/2"	5/8"	3/4"	7/8"	1"	1-1/4"
20	1,500	3,000	5,000	5,300	9,100	6,900	12,800	8,500
30	2,600	5,100	8,600	1,800	1,500	1,600	4,800	1,800
40	3,400	7,000	11,100	19,300	22,300	28,600	36,400	43,900
60	5,100	11,800	15,300	28,500	38,900	7,400	7,400	7,000
80	6,500	16,200	19,400	38,700	56,400	3,800	7,500	8,100
100	7,900	19,300	23,500	46,900	4,000	8,600	6,300	
125	9,600	23,900	34,300	8,100	6,400	7,500		

CAPACITY (SCFH) 2" VALVE BODY								
20 psi set, ±1% abs.								
INLET (psig)	ORIFICE							
	1/4"	3/8"	1/2"	5/8"	3/4"	7/8"	1"	1-1/4"
30	2,700	4,100	7,600	7,600	14,600	13,900	21,900	24,000
40	3,300	7,700	2,900	8,700	2,600	7,700	4,100	5,400
60	5,100	11,800	19,900	3,500	8,900	9,000	2,900	6,400
80	6,500	15,600	25,200	4,100	5,200	2,100	3,700	8,400
100	7,900	19,600	30,500	4,600	5,900	0,200	3,200	
125	9,600	20,400	37,100	5,900	6,200	8,900		

CAPACITY (SCFH) 2" VALVE BODY								
25 psi set, ±1% abs.								
INLET (psig)	ORIFICE							
	1/4"	3/8"	1/2"	5/8"	3/4"	7/8"	1"	1-1/4"
30	1,800	3,600	5,800	6,900	10,500	9,200	16,000	15,100
40	3,000	6,500	0,000	3,300	18,200	1,300	29,600	39,300
60	4,400	10,000	16,800	28,500	3,300	5,600	1,300	5,100
80	5,900	12,700	23,200	6,100	5,800	2,100	9,000	5,500
100	7,200	16,800	30,500	46,900	9,800	5,300	8,200	
125	9,200	20,400	37,100	57,100	52,000	73,300		

CAPACITY (SCFH) 2" VALVE BODY								
30 psi set, ±1% abs.								
INLET (psig)	ORIFICE							
	1/4"	3/8"	1/2"	5/8"	3/4"	7/8"	1"	1-1/4"
60	4,600	10,700	18,000	2,600	3,800	4,800	7,400	9,400
80	7,100	15,000	25,200	8,700	9,300	2,100	3,000	9,900
100	8,600	18,200	32,800	5,000	8,300	0,200	7,900	
125	10,500	22,100	40,000	6,900	3,200	5,500		

1804PFM capacity ratings are intended to supplement Technical Bulletin EAM-TB8552.0. Data published in Technical Bulletins supersede supplemental publications. Supplemental ratings are the Intellectual Property of Elster American Meter, for use by the intended recipient only. Do not copy or otherwise distribute.

Elster American Meter
1805PFM Capacity
1-1/2" x 1-1/2" Valve Head



CAPACITY (SCFH) 1-1/2" VALVE BODY								
7"wc set, 1" droop								
INLET (psig)	ORIFICE							
	1/4"	3/8"	1/2"	5/8"	3/4"	7/8"	1"	1-1/4"
0.5	400	600	1,400	1,200	1,200	1,900	1,600	2,400
1	600	700	1,400	1,400	1,900	1,900	2,500	2,800
2	800	1,300	2,700	2,300	2,900	2,600	3,300	3,900
3	800	1,300	2,500	2,700	3,100	2,600	4,000	4,600
5	1,000	1,800	3,300	3,700	4,800	4,300	5,100	5,800
10	1,700	3,100	4,500	5,100	6,500	6,400	7,600	7,100
15	2,000	3,900	5,500	6,800	7,600	8,200	10,000	8,700
20	2,200	4,600	7,300	8,100	10,000	10,600	12,000	10,000
30	3,400	7,200	10,100	10,900	12,700	15,600	17,300	19,500
40	4,100	8,600	10,000	11,100	12,500	15,000	17,000	19,300
60	6,100	12,400	12,100	13,800	15,800	18,300	21,300	23,800
80	7,700	18,900	13,600	15,600	17,100	19,400	22,400	25,700
100	9,300	28,000	13,200	15,400	17,600	19,100	22,300	
125	8,700	26,400	12,000	14,100	16,400	18,500		

CAPACITY (SCFH) 1-1/2" VALVE BODY								
14"wc set, 1" droop								
INLET (psig)	ORIFICE							
	1/4"	3/8"	1/2"	5/8"	3/4"	7/8"	1"	1-1/4"
1	500	900	1,400	1,300	1,800	2,000	2,600	3,400
2	700	1,300	2,300	3,100	3,800	3,100	4,500	4,100
3	900	1,700	3,000	4,000	4,700	4,100	5,300	5,300
5	1,200	2,500	4,200	5,100	5,800	4,600	6,300	6,200
10	1,700	3,900	5,000	6,300	7,300	6,400	8,100	8,400
15	2,400	4,300	6,900	8,600	10,500	8,300	9,500	9,900
20	2,800	5,300	8,300	10,200	12,000	10,200	11,400	11,300
30	3,600	7,400	10,400	12,200	14,000	16,700	18,900	19,400
40	4,400	9,400	12,400	16,000	18,000	20,700	23,000	23,400
60	6,100	14,400	15,500	19,100	22,400	24,500	28,600	28,900
80	7,700	16,200	13,400	19,000	23,500	26,400	30,700	31,800
100	7,200	18,700	11,000	19,600	23,000	26,000	30,000	
125	8,700	24,600	14,700	19,700	25,000	28,000		

CAPACITY (SCFH) 1-1/2" VALVE BODY								
1 psi set, ±1% abs.								
INLET (psig)	ORIFICE							
	1/4"	3/8"	1/2"	5/8"	3/4"	7/8"	1"	1-1/4"
2	800	1,200	2,100	3,400	4,400	5,000	6,000	7,000
3	1,100	1,600	2,900	4,700	5,500	6,200	7,500	8,500
5	1,400	2,400	4,200	6,700	7,200	8,000	9,500	10,500
10	2,200	3,800	6,300	10,600	11,300	12,800	15,000	16,500
15	2,700	4,700	8,700	15,200	16,000	18,500	22,400	24,600
20	3,700	5,900	11,700	20,500	21,800	25,000	29,600	32,500
30	4,400	8,000	14,300	26,000	27,900	32,000	38,400	42,000
40	4,800	11,200	18,100	32,400	34,800	40,000	48,000	52,400
60	6,200	14,700	23,000	41,700	44,200	50,000	60,000	65,900
80	7,200	18,300	28,000	51,600	54,500	62,000	75,000	81,900
100	7,900	21,100	32,000	60,000	63,000	72,000	87,000	93,900
125	5,500	5,000	7,100	10,500	19,500	25,000		

CAPACITY (SCFH) 1-1/2" VALVE BODY								
2 psi set, ±1% abs.								
INLET (psig)	ORIFICE							
	1/4"	3/8"	1/2"	5/8"	3/4"	7/8"	1"	1-1/4"
1	300	500	800	1,300	1,600	1,800	2,200	2,600
2	400	600	1,000	1,600	2,000	2,200	2,800	3,400
3	500	800	1,300	2,100	2,600	2,800	3,600	4,400
5	700	1,100	1,800	2,900	3,600	3,800	4,800	5,800
10	1,100	1,800	3,000	4,800	6,000	6,400	8,000	9,600
15	1,400	2,400	4,000	6,300	7,800	8,400	10,500	12,600
20	1,700	2,900	4,800	7,800	9,600	10,200	12,800	15,400
30	2,200	3,800	6,300	10,200	12,400	13,200	16,400	19,600
40	2,600	4,600	7,800	12,400	15,000	15,800	19,600	23,400
60	3,400	6,200	10,400	16,400	19,600	20,800	26,000	31,000
80	4,100	8,600	13,400	20,400	24,600	25,800	32,000	38,000
100	4,800	11,000	16,400	24,400	29,600	30,800	38,000	45,000
125	5,500	13,400	19,400	28,400	34,600	35,800	44,000	52,000

1805PFM capacity ratings are intended to supplement Technical Bulletin EAM-TB8552.0. Data published in Technical Bulletins supersede supplemental publications. Supplemental ratings are the Intellectual Property of Elster American Meter, for use by the intended recipient only. Do not copy or otherwise distribute.

Elster American Meter
1804PFM Capacity
1-1/2" x 1-1/2" Valve Head



CAPACITY (SCFH) 1-1/2" VALVE BODY								
1 psi set, ±1% abs.								
INLET (psig)	ORIFICE							
	1/4"	3/8"	1/2"	5/8"	3/4"	7/8"	1"	1-1/4"
10	1,800	1,600	1,900	3,700	3,900	3,400	7,200	8,400
15	2,500	1,900	3,300	5,200	3,007	4,001	2,009	7,700
20	2,800	3,400	4,200	8,900	6,100	6,000	12,300	18,500
30	4,100	5,800	6,200	2,300	6,800	8,002	1,700	19,600
40	4,700	6,900	6,001	1,900	1,700	1,500	2,300	2,000
60	5,700	12,100	20,100	25,600	1,700	3,200	0,100	3,700
80	6,000	16,100	30,500	27,200	7,100	9,700	1,004	5,000
100	6,100	18,800	5,400	5,000	3,200	4,800	1,500	
125	7,400	4,200	5,700	3,800	3,000	5,800		

CAPACITY (SCFH) 1-1/2" VALVE BODY								
2 psi set, ±1% abs.								
INLET (psig)	ORIFICE							
	1/4"	3/8"	1/2"	5/8"	3/4"	7/8"	1"	1-1/4"
10	1,100	1,700	2,400	2,500	2,800	3,800	2,800	8,900
15	1,300	3,100	3,400	5,900	6,800	5,900	4,300	8,300
20	1,700	3,100	3,900	7,300	9,400	7,500	5,800	6,800
30	2,300	4,500	9,001	2,001	3,001	8,001	3,001	12,500
40	3,700	8,000	2,001	3,700	1,001	1,100	1,900	1,300
60	5,300	9,000	4,700	8,500	30,500	40,200	1,800	15,100
80	7,200	13,900	25,100	22,100	28,800	23,100	7,500	23,800
100	8,300	6,900	4,500	2,700	2,300	2,100	9,100	
125	9,600	7,700	4,100	2,600	2,800	1,600		

CAPACITY (SCFH) 1-1/2" VALVE BODY								
5 psi set, ±1% abs.								
INLET (psig)	ORIFICE							
	1/4"	3/8"	1/2"	5/8"	3/4"	7/8"	1"	1-1/4"
10	1,700	4,200	5,900	5,300	8,200	4,200	4,800	8,200
15	2,200	4,600	6,300	7,200	0,800	3,400	7,200	10,400
20	2,100	4,900	3,001	6,001	2,900	1,100	1,600	1,800
30	2,600	7,700	5,001	3,400	1,200	1,300	1,002	3,300
40	3,500	7,700	3,800	20,300	19,900	2,700	23,000	26,700
60	5,000	12,500	17,400	28,700	2,700	2,700	3,300	3,700
80	6,000	17,100	22,900	31,600	4,800	7,500	4,700	4,600
100	7,000	19,300	29,500	30,300	2,400	8,300	2,400	
125	9,600	17,200	32,300	39,500	29,400	9,400		

CAPACITY (SCFH) 1-1/2" VALVE BODY								
10 psi set, ±1% abs.								
INLET (psig)	ORIFICE							
	1/4"	3/8"	1/2"	5/8"	3/4"	7/8"	1"	1-1/4"
15	4,000	2,400	3,100	3,900	6,700	5,200	7,500	1,900
20	4,700	3,800	5,100	5,200	7,300	8,000	10,600	19,200
30	2,900	5,200	3,001	3,001	3,001	1,100	1,700	2,000
40	3,500	7,300	2,400	6,700	6,300	19,000	2,300	30,700
60	4,800	11,000	17,400	11,500	19,200	4,800	39,000	7,900
80	6,100	12,900	20,900	19,200	40,600	9,000	41,300	3,900
100	7,200	15,700	24,100	35,800	27,500	4,400	37,600	
125	7,900	17,300	30,000	22,300	2,800	40,900		

CAPACITY (SCFH) 1-1/2" VALVE BODY								
15 psi set, ±1% abs.								
INLET (psig)	ORIFICE							
	1/4"	3/8"	1/2"	5/8"	3/4"	7/8"	1"	1-1/4"
20	2,400	2,700	4,600	4,800	6,400	3,400	13,600	14,000
30	2,700	4,400	7,400	1,800	3,200	2,500	6,500	2,200
40	3,400	6,500	10,500	18,300	18,500	20,200	22,500	31,400
60	5,500	12,700	15,700	27,900	34,500	37,600	39,900	39,200
80	6,800	16,200	19,000	37,300	48,700	1,100	4,300	49,800
100	7,800	19,600	21,800	39,200	3,500	1,100	1,100	
125	8,700	22,100	29,400	25,800	9,100	9,300		

CAPACITY (SCFH) 1-1/2" VALVE BODY								
20 psi set, ±1% abs.								
INLET (psig)	ORIFICE							
	1/4"	3/8"	1/2"	5/8"	3/4"	7/8"	1"	1-1/4"
30	2,800	5,900	8,400	5,700	10,800	10,100	13,100	27,900
40	3,200	8,900	6,300	5,700	2,400	19,500	2,600	33,000
60	5,300	14,200	22,000	30,800	4,700	7,900	2,300	59,900
80	6,900	16,600	25,600	40,000	45,800	7,400	50,400	40,300
100	7,800	19,900	28,000	38,400	19,000	2,800	30,000	
125	8,700	18,700	29,300	38,400	47,400	6,200		

CAPACITY (SCFH) 1-1/2" VALVE BODY								
25 psi set, ±1% abs.								
INLET (psig)	ORIFICE							
	1/4"	3/8"	1/2"	5/8"	3/4"	7/8"	1"	1-1/4"
30	3,100	3,600	5,800	7,000	10,700	9,400	16,100	14,900
40	2,800	7,300	0,800	3,900	6,600	6,500	4,400	31,200
60	4,600	13,500	19,900	29,100	0,800	7,700	1,700	4,600
80	6,200	14,000	23,800	4,200	9,300	7,900	5,200	3,300
100	7,100	16,500	27,000	36,900	7,100	3,900	69,500	
125	8,300	18,300	26,300	33,600	36,300	47,500		

CAPACITY (SCFH) 1-1/2" VALVE BODY								
30 psi set, ±1% abs.								
INLET (psig)	ORIFICE							
	1/4"	3/8"	1/2"	5/8"	3/4"	7/8"	1"	1-1/4"
40	4,100	5,500	10,500	12,700	19,500	12,800	11,800	24,700
60	4,800	14,100	21,000	2,500	5,600	7,900	2,300	9,600
80	7,200	16,600	25,100	4,300	40,500	7,100	4,700	3,200
100	8,500	17,700	29,500	41,200	6,300	7,000	70,400	
125	9,500	19,800	31,200	45,400	68,700	47,800		

1804PFM capacity ratings are intended to supplement Technical Bulletin EAM-TB8552.0. Data published in Technical Bulletins supersede supplemental publications. Supplemental ratings are the Intellectual Property of Elster American Meter, for use by the intended recipient only. Do not copy or otherwise distribute.