



Meters
Valves
Instruments
Systems

8008A Commercial Pressure Gauge



BUY NOW

Devtech Sales, Inc. is a Florida-based manufacturer's representative focused on supplying engineered equipment to natural gas, power and industrial customers. Devtech is Florida's leading provider of measurement and control products and systems such as gas meters, valves, odorizers, filters, instruments, flow correctors, flow computers, gauges, gate stations, meter/regulator skids and automatic meter reading systems.

Devtech Sales, Inc. • 118 S. Lake Ave. • Avon Park, FL • 863-453-5959

[HTTPS://WWW.DEVTECHSALES.COM](https://www.devtechsales.com)

Data Sheet

8008A Commercial Pressure Gauge

FEATURES

- Meets EN837-1 and ASME B40.100 specifications
- Corrosion resistant stainless steel case
- Dry gauges are field fillable
- FlutterGuard™ standard on dry gauges
- Custom dials available
- Ventable fill plug
- Accessory kits for easy panel mounting

TYPICAL USES

- Hydraulic systems
- Hydraulic hand tools
- Injection molding equipment
- Pressure washers and sprayers
- Paint spray equipment
- Compressors
- Irrigation equipment

SPECIFICATIONS

| | |
|---|---|
| Accuracy: | 63mm: ±1.6% of span per EN837-1 ±1% of span per EN837-1 ±2-1-2% of span ASME B40.100 |
| | 100mm: ±1% of span per EN837-1 |
| Sizes: | 63mm (2½"); 100mm (4") |
| Ranges: | Vacuum, compound, 15 to 15,000 psi, bar, kPa, MPa, kg/cm², (available in single or dual scale) |
| Working Pressure: | Steady: 75% full-scale value Fluctuating: 80% full-scale value Short Time: full-scale value |
| Over Pressure/ Proof Pressure: | ≤100 bar ranges: 125% of maximum scale value >100 to ≤600 bar ranges: 115% of maximum scale value >600 to ≤1000 bar ranges: 110% of maximum scale value |
| Process Connection Location: | 63mm: Lower or center back 100mm: Lower or lower back |
| Process Connection Sizes: | 63mm: ¼ NPT, ¼ NPT, G¼ B, ¼ BSPT, SAE-4 ¼-20, M14x1.5, #4JIC 100mm: ¼ NPT, ½ NPT, G¼ B, G½ B, M14x1.5, M20x1.5, ¼ BSPT, ½ BSPT |
| Dial: | Black figures on white background (blue secondary scale for dual scale dials); aluminum |
| Pointer: | Black, aluminum |
| Movement: | Brass |
| Dampening: | FlutterGuard™, Glycerin fill, Silicone fill |
| Temperature Effects: | ±0.04% of span per °C change; reference temp. 20°C ±0.4% of span per 18°F change; reference temp. 68°F |
| Approvals: | RoHS (EU Directives 2011/65/EU and 2015/863); PED (2014/68/EU); REACH compliant; CRN; IP 66 rating; Nema 4 for water and dust ingress |



KEY BENEFITS

- Rugged design for OEM applications
- Cost effective for high volume applications
- Retrofits existing applications
- Customizable for new applications

WETTED COMPONENTS

| Bourdon Tube | Process Connection | Restrictor |
|--|--|---------------------------|
| Bronze (vacuum-8700 psi & compound) 316 SS (10,000 psi-15,000 psi) | Brass/Soldered (vacuum-8,700 psi & compound) Brass/Brazed (10,000 psi & 15,000 psi) | Brass (0.013" orifice) |

NON-WETTED COMPONENTS

| Case | Window | Ring |
|--------|---------------------------------------|-----------------|
| 304 SS | Polycarbonate, glass, or safety glass | 304 SS, crimped |

MIN/MAX TEMPERATURE LIMITS

| Version | Ambient | Process | Storage |
|------------------------|-----------------------------------|-----------------------------------|-----------------------------------|
| Dry with FlutterGuard™ | -40°F to 158°F (-40°C to 70°C) | -40°F to 158°F (-40°C to 70°C) | -40°F to 158°F (-40°C to 70°C) |
| Glycerin Fill | 20°F to 158°F (-7°C to 70°C) | -4°F to 158°F (-20°C to 70°C) | -40°F to 158°F (-40°C to 70°C) |
| Silicone Fill | -40°F to 158°F (-40°C to 70°C) | -40°F to 158°F (-40°C to 70°C) | -40°F to 158°F (-40°C to 70°C) |

Data Sheet

8008A Commercial Pressure Gauge

| ORDERING CODE | Example: | 63 | 8008A | 4 | G | 02 | L | P | 0 | L | 10BR | XWP |
|---|----------|----|-------|---|---|----|---|---|---|---|------|-----|
| Dial Size | | | | | | | | | | | | |
| 63 - 63mm / 2½" | | 63 | | | | | | | | | | |
| 10 - 100mm / 4" | | | | | | | | | | | | |
| Model | | | | | | | | | | | | |
| 8008A - Pressure gauge | | | 8008A | | | | | | | | | |
| Case/Ring Material | | | | | | | | | | | | |
| 4 - 304 SS | | | | 4 | | | | | | | | |
| Fill | | | | | | | | | | | | |
| F - Dry with Flutterguard™ | | | | | | | | | | | | |
| G - Glycerine filled | | | | | G | | | | | | | |
| S - Silicone filled | | | | | | | | | | | | |
| N - Dry, Silicone free | | | | | | | | | | | | |
| T - Dry, with silicone free Flutterguard™ | | | | | | | | | | | | |
| Process Connection Sizes | | | | | | | | | | | | |
| 01 - ¼ NPT Male (63mm only) | | | | | | | | | | | | |
| 02 - ¼ NPT Male | | | | | | 02 | | | | | | |
| 04 - ½ NPT Male (100mm only) | | | | | | | | | | | | |
| 13 - G¼ B Male | | | | | | | | | | | | |
| 15 - G½ B Male (100mm only) | | | | | | | | | | | | |
| KA - ¼ BSPT | | | | | | | | | | | | |
| RW - SAE-4 7/16-20 (63mm only) | | | | | | | | | | | | |
| 16 - M20x1.5 (100mm only) | | | | | | | | | | | | |
| 41 - M14x1.5 | | | | | | | | | | | | |
| EJ - #4JIC (63mm only) | | | | | | | | | | | | |
| KD - ½ BSPT (100mm only) | | | | | | | | | | | | |
| Process Connection Location | | | | | | | | | | | | |
| L - Lower | | | | | | | L | | | | | |
| B - Lower-back (100mm only) | | | | | | | | | | | | |
| C - Center-back (63mm only) | | | | | | | | | | | | |
| Window Material | | | | | | | | | | | | |
| P - Polycarbonate | | | | | | | | P | | | | |
| R - Regular glass | | | | | | | | | | | | |
| S - Safety glass | | | | | | | | | | | | |
| Case Mounting | | | | | | | | | | | | |
| 0 - Stem mounting | | | | | | | | | 0 | | | |
| 1 - U-clamp | | | | | | | | | | | | |
| 2 - Front flange | | | | | | | | | | | | |
| 4 - Front flange and U-clamp | | | | | | | | | | | | |
| 5 - Trim ring and U-clamp (63mm only) | | | | | | | | | | | | |
| Accuracy | | | | | | | | | | | | |
| J - ±1% of span | | | | | | | | | | | | |
| L - ±1.6% of span | | | | | | | | | | L | | |
| M - ±2-1-2% of span | | | | | | | | | | | | |
| Ranges (coding examples only, see Table 1 for all standard ranges) | | | | | | | | | | | | |
| 10BR | | | | | | | | | | | 10BR | |
| Options (If choosing an option(s) must include an "X" (See Table 2 on page 6 for more options) | | | | | | | | | | | | |
| BM - Black primary and secondary dial scales on white background | | | | | | | | | | | | X__ |
| CR - Custom individual carton label information | | | | | | | | | | | | |
| RM - Black primary and red secondary dial scales on white background | | | | | | | | | | | | |
| WP - Omit restrictor (throttle plug) | | | | | | | | | | | | WP |
| ZO - Bulk packaging | | | | | | | | | | | | |
| ZP - Customer part number and description on Ashcroft label | | | | | | | | | | | | |

8008A Commercial Pressure Gauge
TABLE 1 - COMMERCIAL GAUGE RANGES

| psi | bar | kPa | Mpa | kg/cm ² | NOTES |
|--------|----------|------------|-----------|--------------------|---|
| 30IMV | -1BR | -100KP | -.1MP | -1KSC | 100mm gauge only available as liquid filled for these ranges. |
| - | -1&.6BR | -100&60KP | -.1&.06MP | -1&.6KSC | |
| V&15# | - | - | - | - | |
| - | -1&1.5BR | -100&150KP | -.1&.15MP | -1&1.5KSC | |
| V&30# | - | - | - | - | |
| - | -1&3BR | -100&300KP | -.1&.3MP | -1&3KSC | |
| V&60# | - | - | - | - | |
| - | -1&5BR | -100&500KP | -.1&.5MP | -1&5KSC | |
| V&100# | - | - | - | - | |
| - | -1&9BR | -100&900KP | -.1&.9MP | -1&9KSC | |
| 15# | 1BR | 100KP | .1MP | 1KSC | 100mm gauge only available as liquid filled for these ranges. |
| 20# | - | - | - | - | |
| - | 1.6BR | 160KP | .16MP | 1.6KSC | |
| 30# | - | - | - | - | |
| - | 2.5BR | 250KP | .25MP | 2.5KSC | |
| 60# | 4BR | 400KP | .4MP | 4KSC | |
| - | 6BR | 600KP | .6MP | 6KSC | |
| 100# | - | - | - | - | |
| 120# | - | - | - | - | |
| - | 10BR | 1,000KP | 1MP | 10KSC | |
| 160# | - | - | - | - | |
| 200# | - | - | - | - | |
| - | 16BR | 1,600KP | 1.6MP | 16KSC | |
| 300# | - | - | - | - | |
| - | 25BR | 2,500KP | 2.5MP | 25KSC | |
| 400# | - | - | - | - | |
| 500# | - | - | - | - | |
| 600# | 40BR | 4,000KP | 4MP | 40KSC | |
| 800# | - | - | - | - | |
| - | 60BR | 6,000KP | 6MP | 60KSC | |
| 1000# | - | - | - | - | |
| 1500# | 100BR | 10,000KP | 10MP | 100KSC | |
| 2000# | - | - | - | - | |
| - | 160BR | 16,000KP | 16MP | 160KSC | |
| 3000# | - | - | - | - | |
| - | 250BR | 25,000KP | 25MP | 250KSC | |
| 4000# | - | - | - | - | |
| 5000# | - | - | - | - | |
| 6000# | 400BR | 40,000KP | 40MP | 400KSC | |
| 8000# | - | - | - | - | |
| - | 600BR | 60,000KP | 60MP | 600KSC | |
| 10000# | - | - | - | - | |
| 15000# | 1000BR | 100,000KP | 100MP | 1,000KSC | |

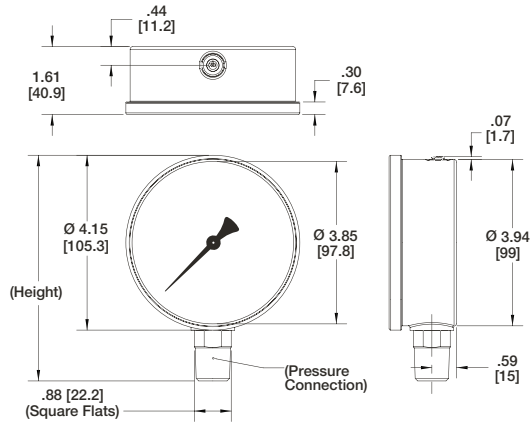
Data Sheet

8008A Commercial Pressure Gauge

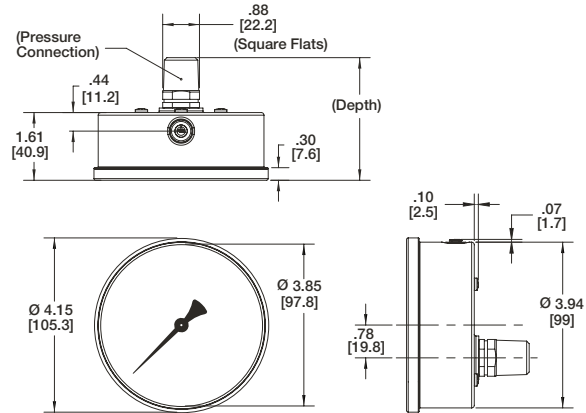
DIMENSIONS in [] are millimeters

For reference only, consult Ashcroft for specific dimensional drawings

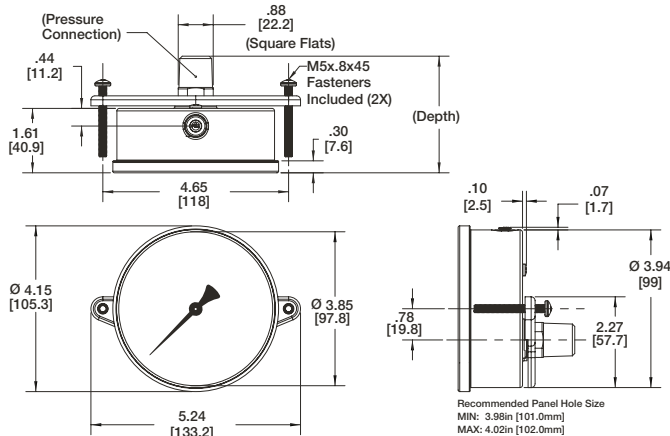
| 100mm lower connect | | |
|---------------------|---------------------|--------------|
| Connection Code | Pressure Connection | Height |
| 02 | ¼ NPT | 5.25 [133.4] |
| 04 | ½ NPT | 5.35 [135.9] |
| 13 | G¼ B | 5.12 [130.0] |
| 15 | G½ B | 5.44 [138.2] |
| 41 | M14x1.5 | 5.24 [133.1] |
| 16 | M20x1.5 | 5.44 [138.1] |
| KA | ¼ BSPT | 5.16 [131.1] |
| KD | ½ BSPT | 5.35 [135.9] |



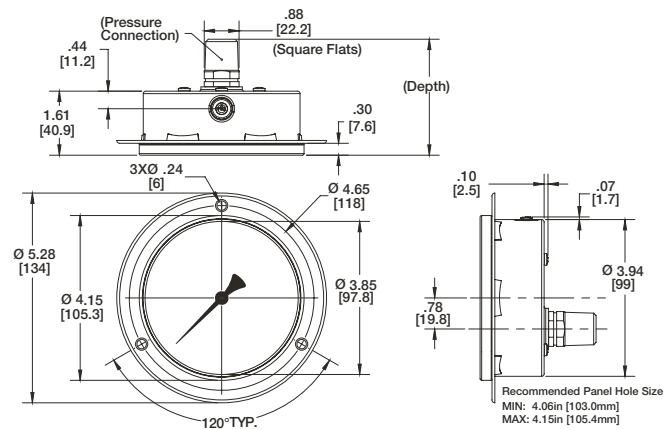
| 100mm lower back connect | | |
|--------------------------|---------------------|--------------|
| Connection Code | Pressure Connection | Height |
| 02 | ¼ NPT | 5.25 [133.4] |
| 04 | ½ NPT | 5.35 [135.9] |
| 13 | G¼ B | 5.12 [130.0] |
| 15 | G½ B | 5.44 [138.2] |
| 41 | M14x1.5 | 5.24 [133.1] |
| 16 | M20x1.5 | 5.44 [138.1] |
| KA | ¼ BSPT | 5.16 [131.1] |
| KD | ½ BSPT | 5.35 [135.9] |



| 100mm lower back connect - U clamp | | |
|------------------------------------|---------------------|--------------|
| Connection Code | Pressure Connection | Height |
| 02 | ¼ NPT | 5.25 [133.4] |
| 04 | ½ NPT | 5.35 [135.9] |
| 13 | G¼ B | 5.12 [130.0] |
| 15 | G½ B | 5.44 [138.2] |
| 41 | M14x1.5 | 5.24 [133.1] |
| 16 | M20x1.5 | 5.44 [138.1] |
| KA | ¼ BSPT | 5.16 [131.1] |
| KD | ½ BSPT | 5.35 [135.9] |



| 100mm lower back connect - front flange | | |
|---|---------------------|--------------|
| Connection Code | Pressure Connection | Height |
| 02 | ¼ NPT | 5.25 [133.4] |
| 04 | ½ NPT | 5.35 [135.9] |
| 13 | G¼ B | 5.12 [130.0] |
| 15 | G½ B | 5.44 [138.2] |
| 41 | M14x1.5 | 5.24 [133.1] |
| 16 | M20x1.5 | 5.44 [138.1] |
| KA | ¼ BSPT | 5.16 [131.1] |
| KD | ½ BSPT | 5.35 [135.9] |



Data Sheet

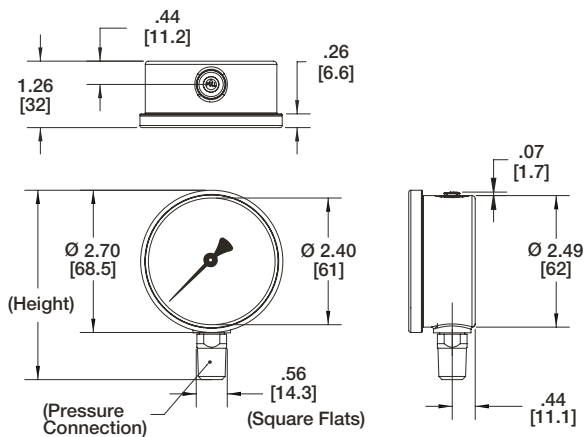
8008A Commercial Pressure Gauge

DIMENSIONS in [] are millimeters

For reference only, consult Ashcroft for specific dimensional drawings

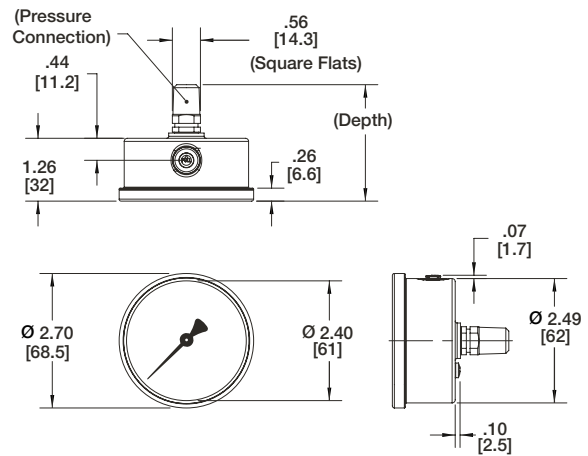
63mm lower connect

| Connection Code | Pressure Connection | Height |
|-----------------|---------------------|-------------|
| 01 | 1/8 NPT | 2.17 [55.1] |
| 02 | 1/4 NPT | 2.33 [59.3] |
| 13 | G1/4 B | 2.32 [59.0] |
| KA | 1/4 BSPT | 2.24 [57.0] |
| RW | SAE-4 7/16-20 | 2.40 [60.9] |
| 41 | M14 X 1.5 | 2.36 [60.0] |
| EJ | #4JIC | 2.27 [57.7] |



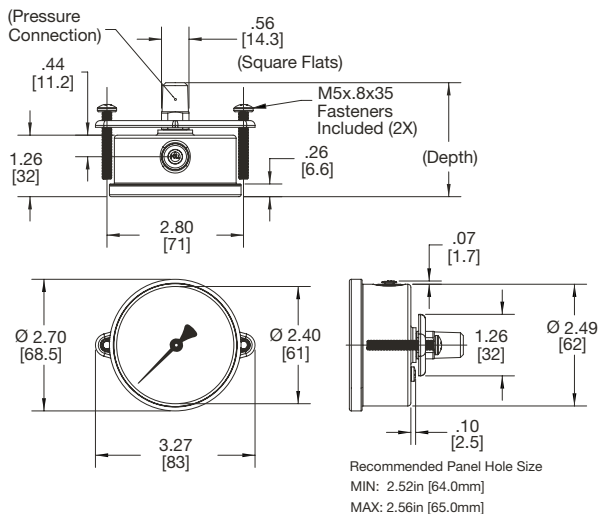
63mm center back connect

| Connection Code | Pressure Connection | Height |
|-----------------|---------------------|-------------|
| 01 | 1/8 NPT | 2.17 [55.1] |
| 02 | 1/4 NPT | 2.33 [59.3] |
| 13 | G1/4 B | 2.32 [59.0] |
| KA | 1/4 BSPT | 2.24 [57.0] |
| RW | SAE-4 7/16-20 | 2.40 [60.9] |
| 41 | M14 X 1.5 | 2.36 [60.0] |
| EJ | #4JIC | 2.27 [57.7] |



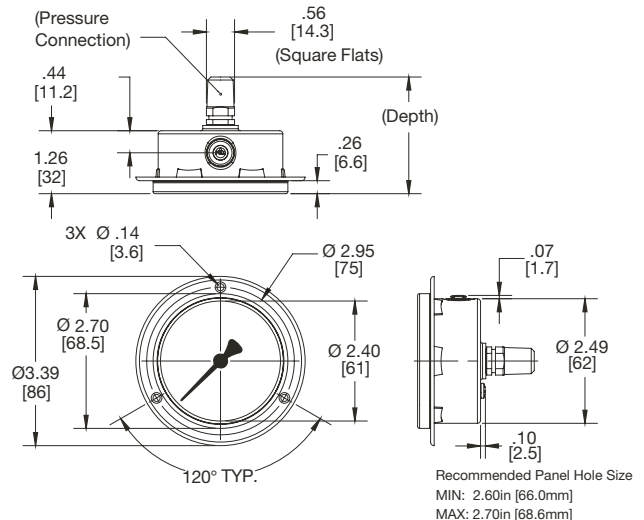
63mm center back connect - U clamp

| Connection Code | Pressure Connection | Height |
|-----------------|---------------------|-------------|
| 01 | 1/8 NPT | 2.17 [55.1] |
| 02 | 1/4 NPT | 2.33 [59.3] |
| 13 | G1/4 B | 2.32 [59.0] |
| KA | 1/4 BSPT | 2.24 [57.0] |
| RW | SAE-4 7/16-20 | 2.40 [60.9] |
| 41 | M14 X 1.5 | 2.36 [60.0] |
| EJ | #4JIC | 2.27 [57.7] |



63mm center back connect - front flange

| Connection Code | Pressure Connection | Height |
|-----------------|---------------------|-------------|
| 01 | 1/8 NPT | 2.17 [55.1] |
| 02 | 1/4 NPT | 2.33 [59.3] |
| 13 | G1/4 B | 2.32 [59.0] |
| KA | 1/4 BSPT | 2.24 [57.0] |
| RW | SAE-4 7/16-20 | 2.40 [60.9] |
| 41 | M14 X 1.5 | 2.36 [60.0] |
| EJ | #4JIC | 2.27 [57.7] |



Data Sheet

8008A Commercial Pressure Gauge

DIMENSIONS in [] are millimeters

For reference only, consult Ashcroft for specific dimensional drawings

| 63mm center back connect - U clamp with trim ring | | |
|---|---------------------|-------------|
| Connection Code | Pressure Connection | Height |
| 01 | ¼ NPT | 2.17 [55.1] |
| 02 | ¼ NPT | 2.33 [59.3] |
| 13 | G¼ B | 2.32 [59.0] |
| KA | ¼ BSPT | 2.24 [57.0] |
| RW | SAE-4 ¼-20 | 2.40 [60.9] |
| 41 | M14 X 1.5 | 2.36 [60.0] |
| EJ | #4JIC | 2.27 [57.7] |

63mm lower, center back connect - rubber boot

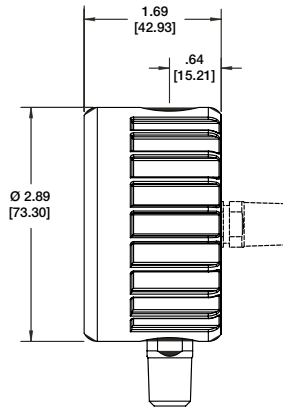
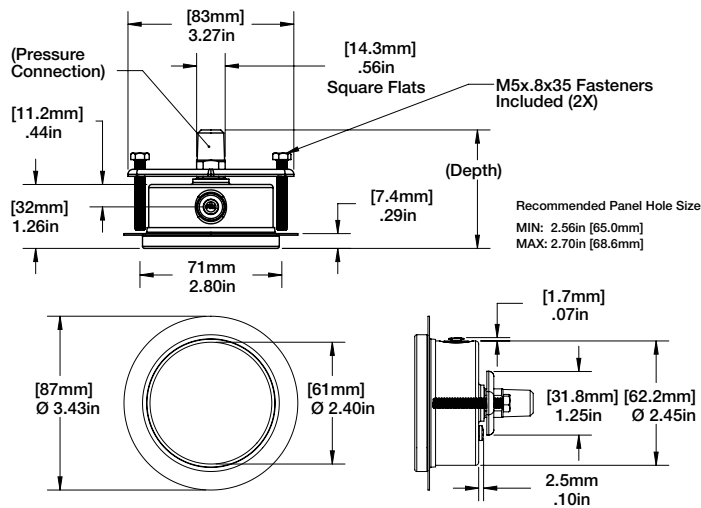


TABLE 2 - OPTIONS - Continued

| |
|---|
| ZQ - Customer part number only on label (no Ashcroft) |
| ZW - Customer part number and gauge description on label (no Ashcroft) |
| B1 - Black protective boot (63mm only) |
| S2 - Safety pattern gauge without baffle wall: designed by S2 per EN8337-1 (only available on 63mm gauge having a polycarbonate window) |
| T4 - 0.007" Orifice Restrictor |
| T7 - 0.020" Orifice Restrictor |
| T8 - 0.031" Orifice Restrictor |
| T9 - 0.063" Orifice Restrictor |
| 99 - Serial number on dial |